



T1G3 - STEEL MANHOLE COVER

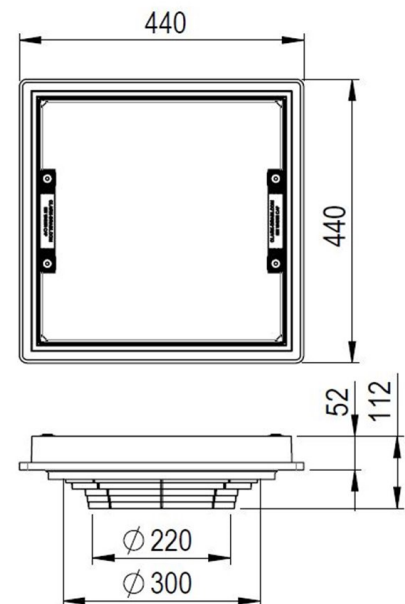
KEY FEATURES

- Integrated lifting handles each tested to 60Kg of direct lift
- Factory fitted rubber sealing gasket to prevent unwanted odours
- Tray fully galvanised to BS EN 1461:2009
- Moulded grouting flange



T1G3 - Specifications

| | |
|---------------------|-----------------------------------|
| Product Weight (Kg) | 7.5 |
| Clear Opening | 220-300 Dia |
| Overall Dimensions | 440 x 440 x 52 |
| Cover Material | Mild Steel to EN 10346 2015 DD11 |
| Frame Material | Polypropylene (Grade AP9) |
| Load Rating | 5 tonne GPW |
| Load Rating Data | 12.5kN held for 30 seconds |
| FACTA Clauses | 7.0, 7.2, 7.2.1, 7.2.3 |
| Application | Pedestrian Areas |
| Locking | Locking screws and sealing gasket |



T1G3/V0.1/09-12-2022



Due to our continuous product improvement program features and sizes may be subject to change without notice.

CLARK DRAIN, STATION ROAD, YAXLEY, PETERBOROUGH, PE7 3EQ, TEL. +44 (0) 1733 765317