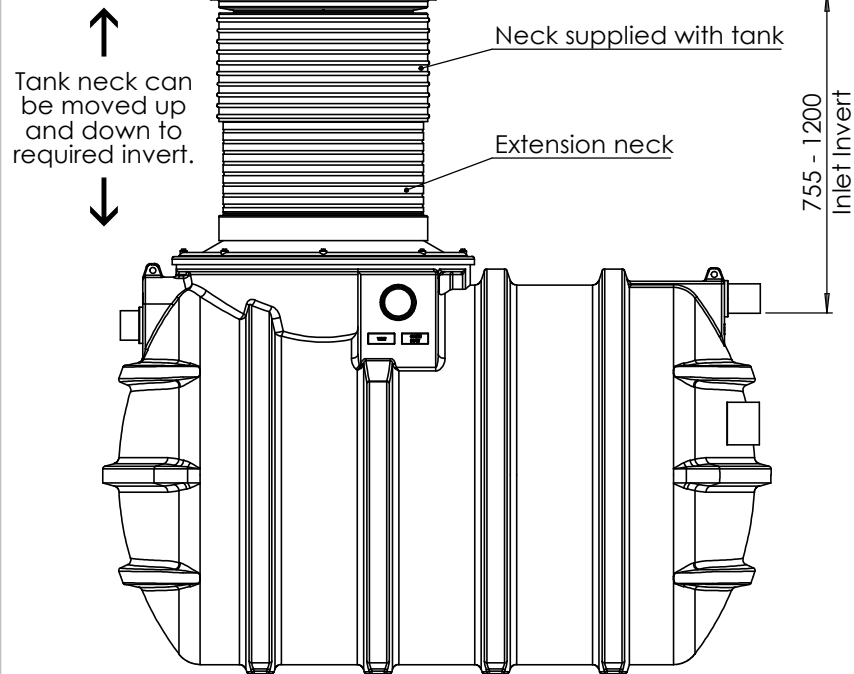


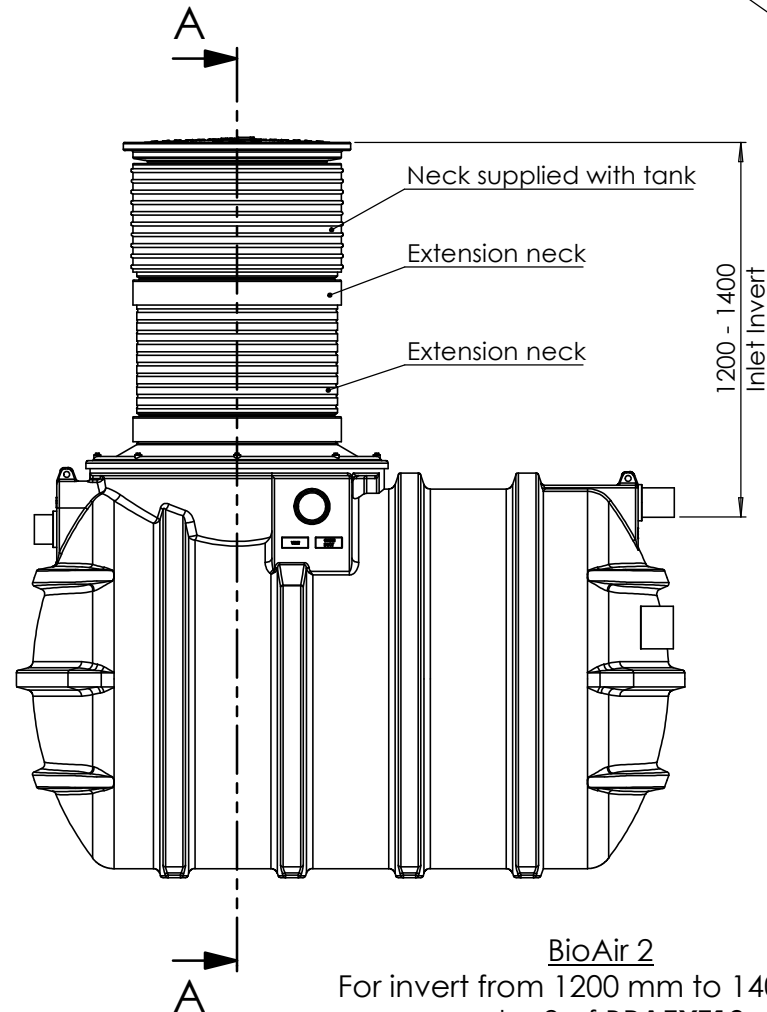
## Extension Neck Fitting Instructions

1. Remove existing riser and lid assembly.
2. Position Ext Neck onto shaft using existing gasket.
3. Fit second Ext neck if required on top of first Ext neck using gasket supplied.
4. Trim existing neck to required height if necessary.
5. Reposition riser assembly on top of Ext neck using gasket supplied.

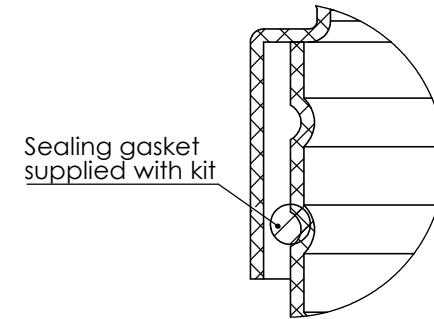
**Maximum invert for IPS units is 1000 mm**



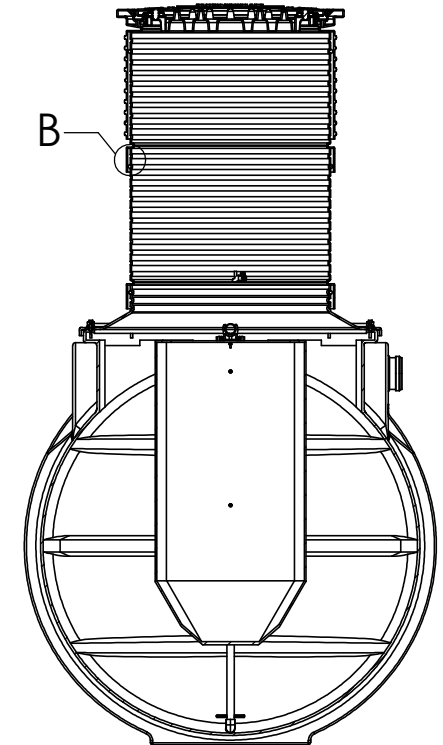
**BioAir 2**  
For invert from 755 mm to 1200 mm  
order 1 of **BPAEXT13**



**BioAir 2**  
For invert from 1200 mm to 1400 mm  
order 2 of **BPAEXT13**



**DETAIL B**  
SCALE 1 : 2



**SECTION A-A**  
SCALE 1 : 20

Please check with Kingspan Water & Energy for the latest Issue of the drawing

Issue	Date	Drawn By	Approved By	Description
01	23/03/2023	D.Owen	D.Owen	Initial Issue

Modelled By : D.Owen  
Weight : 170 kg  
Material : Various

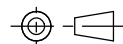
Tolerance (unless stated) :  
Thickness :  
Surface Area : m<sup>2</sup>

**Drawing : DS1415P**

Page 1 of 3

BioAir 2, 3 & 5 Extension Neck Details

All Dimensions In mm      Scale: Do Not Scale



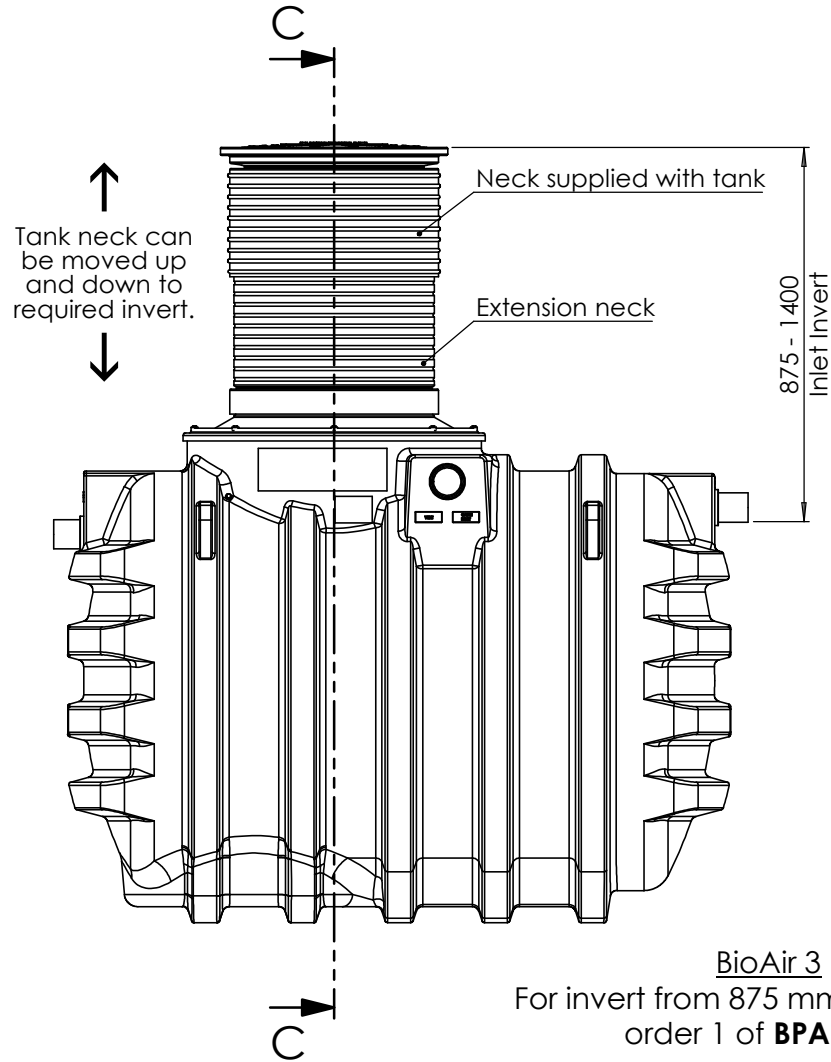
Third Angle Projection

Kingspan Water & Energy reserve the right to alter the details of this drawing without prior notice. This drawing is copyright and may not be reproduced or used without the written permission of Kingspan Water & Energy



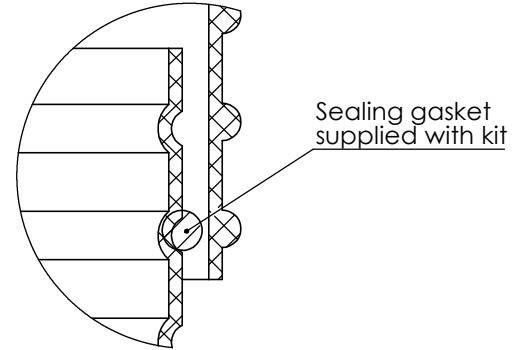
Extension Neck Fitting Instructions

1. Remove existing riser and lid assembly.
2. Position Ext Neck onto shaft using existing gasket.
3. Fit second Ext neck if required on top of first Ext neck using gasket supplied.
4. Trim existing neck to required height if necessary.
5. Reposition riser assembly on top of Ext neck using gasket supplied.

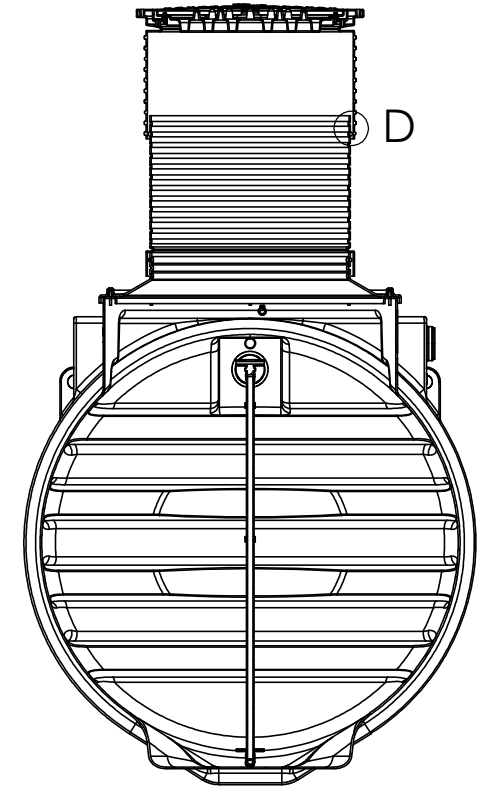


**BioAir 3**  
For invert from 875 mm to 1400 mm  
order 1 of **BPAEXT13**

**Maximum invert for IPS units is 1000 mm**



**DETAIL D**  
SCALE 1 : 2

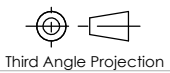


**SECTION C-C**  
SCALE 1 : 20

Modelled By : D.Owen	Tolerance (unless stated) :	<b>Drawing : DS1415P</b>	Page 2 of 3
Weight : 200 kg	Thickness : n/a		
Material : Various	Surface Area : m <sup>2</sup>		

BioAir 2, 3 & 5 Extension Neck Details

All Dimensions In mm      Scale: Do Not Scale



Kingspan Water & Energy reserve the right to alter the details of this drawing without prior notice. This drawing is copyright and may not be reproduced or used without the written permission of Kingspan Water & Energy

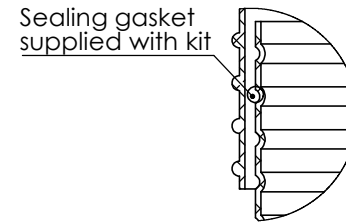
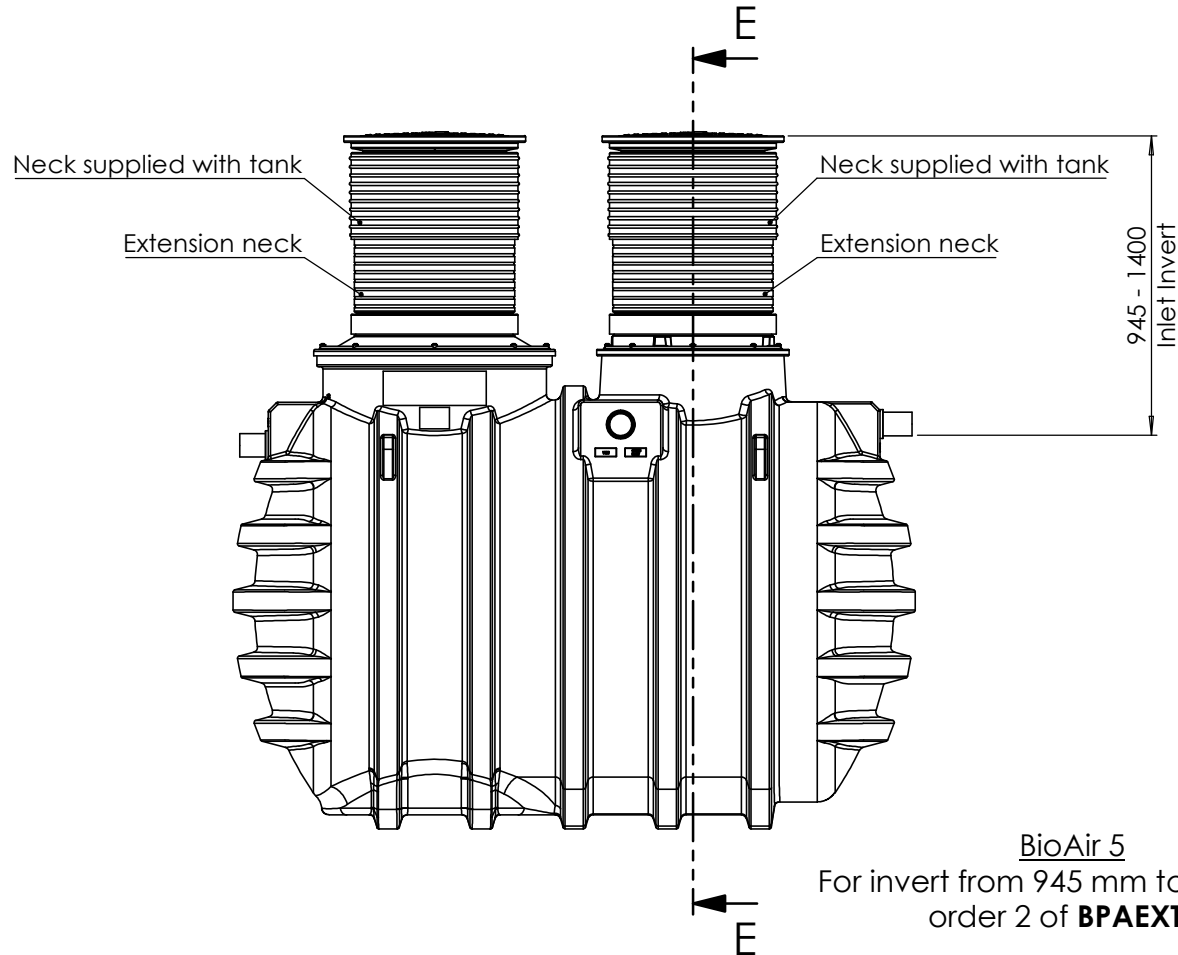


A:\Wastewater\Engineering\Engineering Projects\962A - BioAir (Activated Sludge)\962A - Models\DS1415P\DS1415P

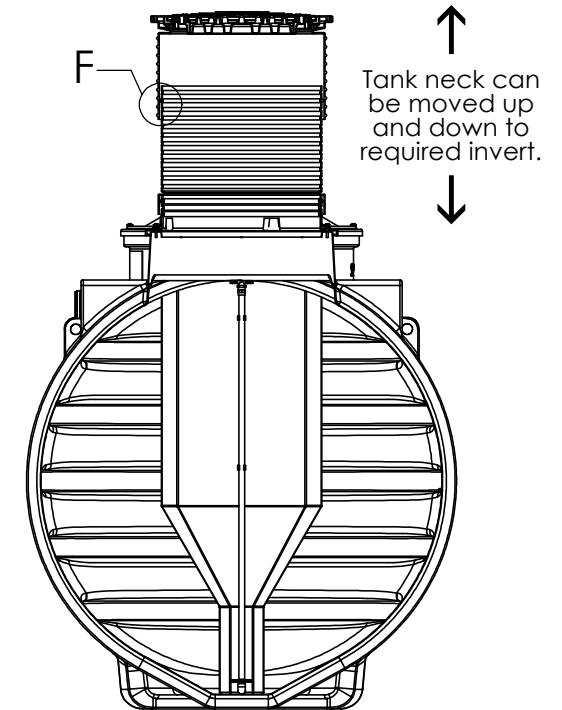
## Extension Neck Fitting Instructions

1. Remove existing riser and lid assembly.
2. Position Ext Neck onto shaft using existing gasket.
3. Fit second Ext neck if required on top of first Ext neck using gasket supplied.
4. Trim existing neck to required height if necessary.
5. Reposition riser assembly on top of Ext neck using gasket supplied.

**Maximum invert for IPS units is 1000 mm**



**DETAIL F**  
SCALE 1 : 5



**SECTION E-E**  
SCALE 1 : 25

Modelled By : D.Owen	Tolerance (unless stated) :
Weight : 650 kg	Thickness : n/a
Material : Various	Surface Area : m <sup>2</sup>

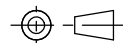
**Drawing : DS1415P**

Page 3 of 3

BioAir 2, 3 & 5 Extension Neck Details

All Dimensions In mm

Scale: Do Not Scale



Third Angle Projection

Kingspan Water & Energy reserve the right to alter the details of this drawing without prior notice. This drawing is copyright and may not be reproduced or used without the written permission of Kingspan Water & Energy

